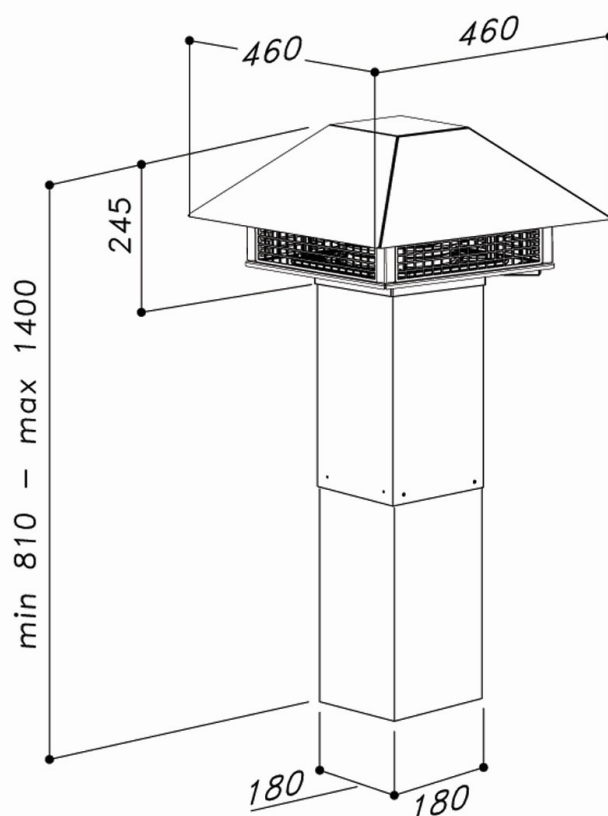




SEM 9

Motor: EBM 1000
m³/h Brushless
Absorption: 170 W
Pressure: 500 Pa
Noise level: 65 dBA

Air Inlet Ø 150mm



SIRIUS HOODS
www.siriuscappe.com

Sirius