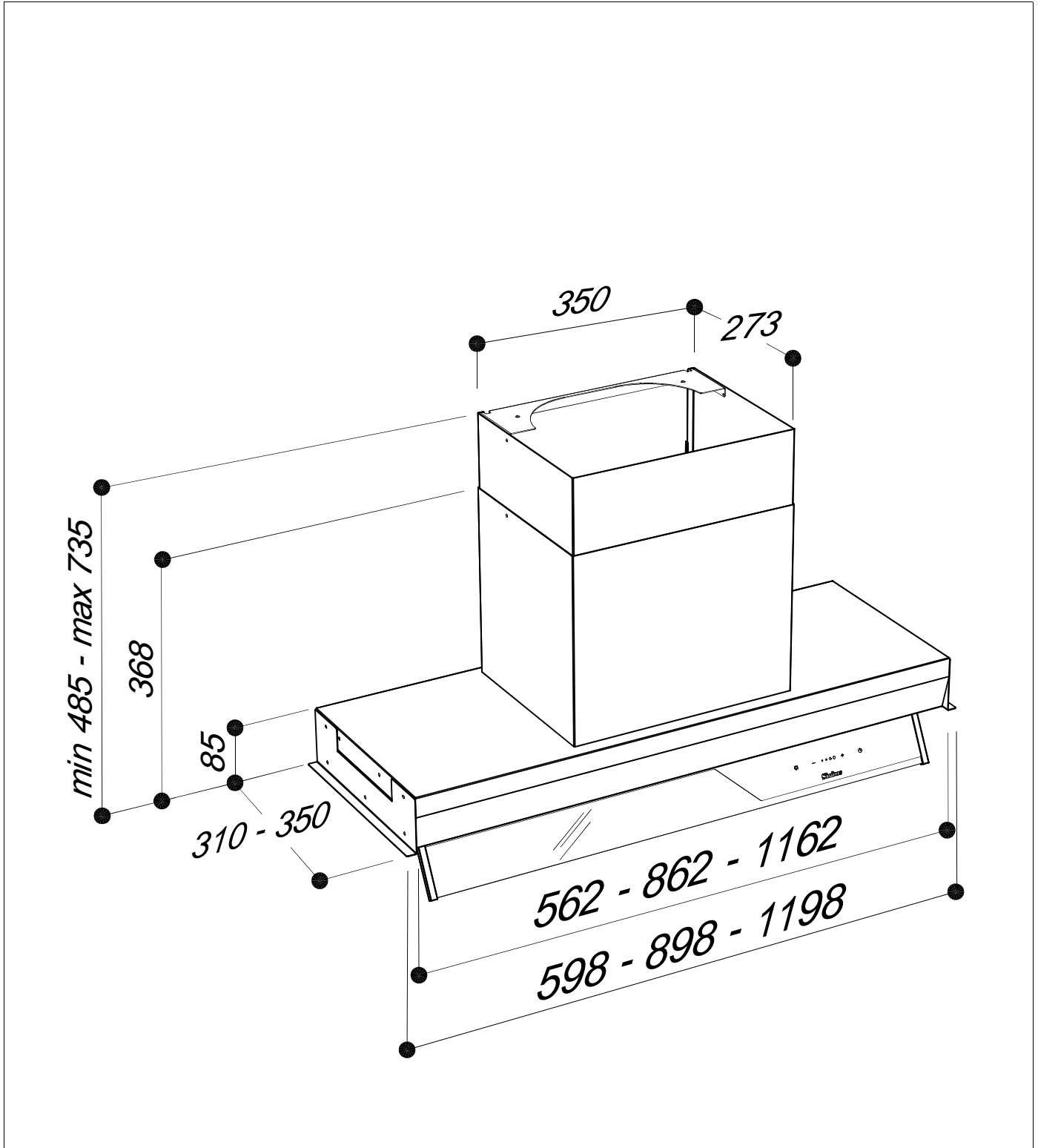


# SLTC928



*To be installed in a cabinet without base*