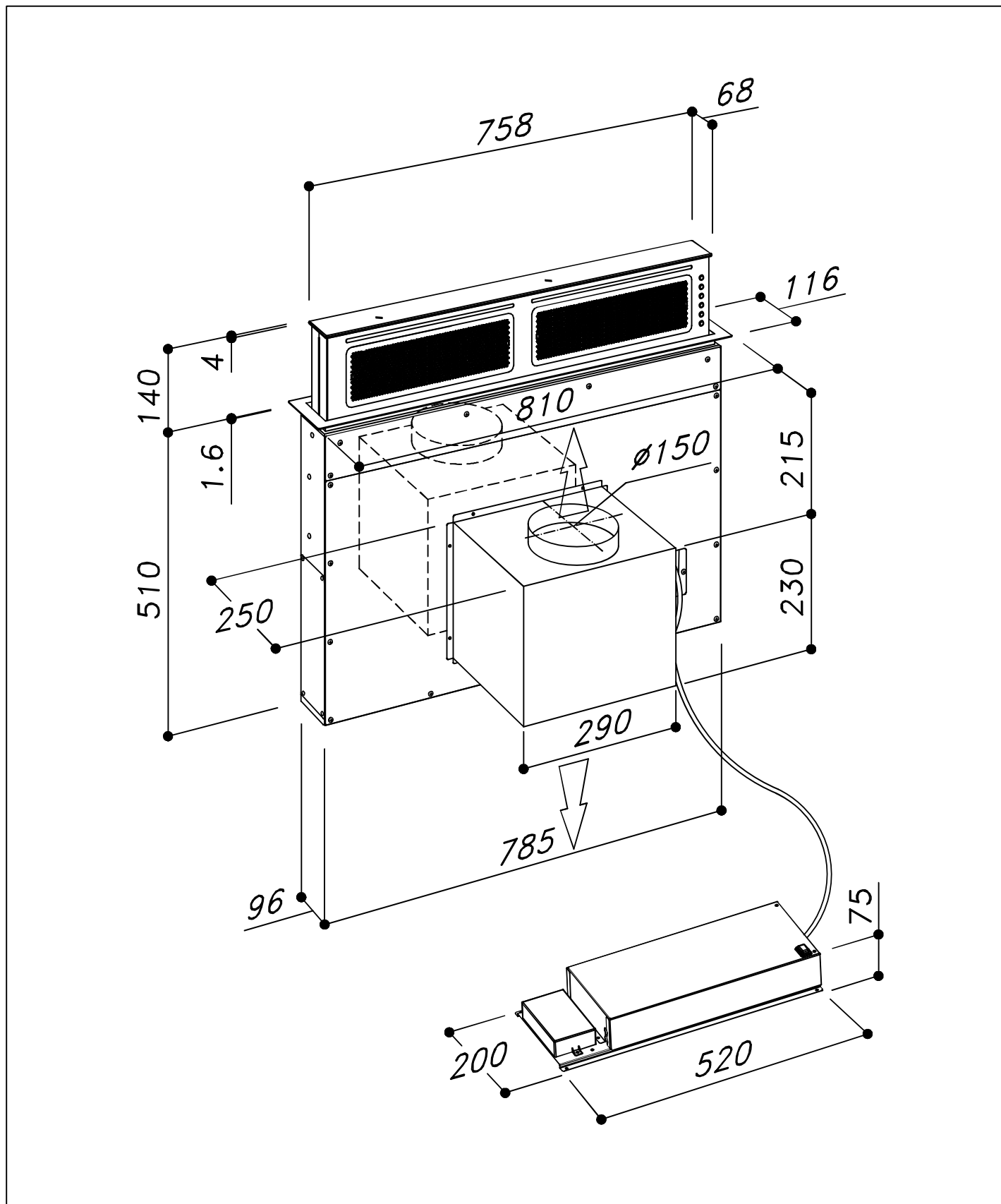


# SDD 11

Motor on board



Apertura Top: 100x790 (mm)

Rectangular opening: 100x790 (mm)

Nov. 2014