

## Reverse 8000 116 - PVD Gun Metal

Built-in socket

Code: 8000 116

**Push socket-holder slot in Gun Metal PVD stainless steel for built-in installation on work surfaces - 2**  
Schuko socket -1 USB socket for charging



### DETAILS

Coloring Gun Metal

---

Finish PVD

---

Material AISI 304 stainless steel

---

Texture Foster brushed

---

Built-in hole 215x88 mm

---

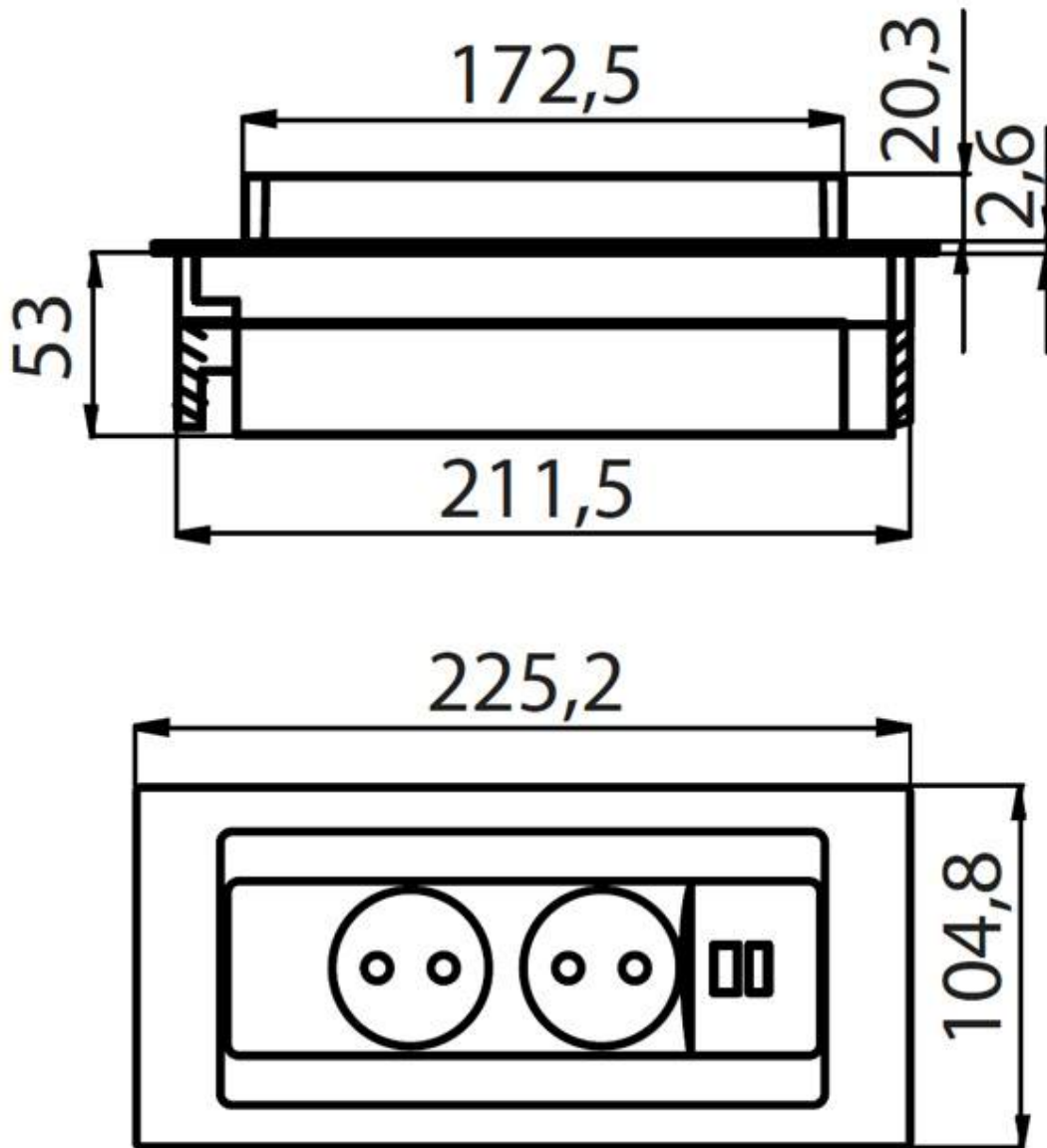
Notes: It's advisable to keep a distance of 40 cm from sinks or cooking hobs (protection index IP20)

---

### FEATURES

**Gun Metal** The Gun Metal finish is obtained by treating steel with a physical process called PVD (Physical Vacuum Deposition) which deposits particles of noble metals on the surface. The result is a unique and refined aesthetic effect, and an improvement of the mechanical properties of the steel which is more resistant to impact and scratches.

## TECHNICAL DATA



## GALLERY

